

COMPONENT PARTS CATALOG

SAVAGE - STEVENS - FOX - SPRINGFIELD
SPORTING ARMS



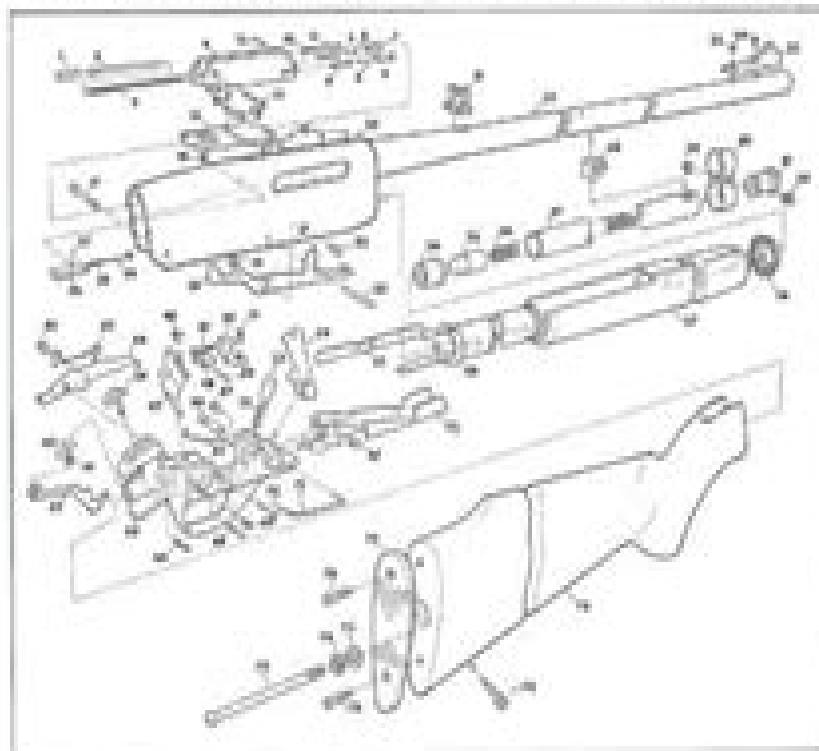
SAVAGE ARMS

DIVISION OF EMHART CORPORATION
WESTFIELD, MASSACHUSETTS 01085

COMPONENT
PARTS

Savage Model 170
Springfield Model 174
Slide Action Rifles

(When ordering parts, it is necessary to specify model number and letter, caliber or gauge, serial number if any)



Part No.	Part Name	Part No.	Part Name	Part No.	Part Name	Part No.	Part Name
1	Barrel	101	Receiver	201	Bolt	301	Magazine
2	Receiver	102	Receiver	202	Bolt	302	Magazine
3	Receiver	103	Receiver	203	Bolt	303	Magazine
4	Receiver	104	Receiver	204	Bolt	304	Magazine
5	Receiver	105	Receiver	205	Bolt	305	Magazine
6	Receiver	106	Receiver	206	Bolt	306	Magazine
7	Receiver	107	Receiver	207	Bolt	307	Magazine
8	Receiver	108	Receiver	208	Bolt	308	Magazine
9	Receiver	109	Receiver	209	Bolt	309	Magazine
10	Receiver	110	Receiver	210	Bolt	310	Magazine

Stevens Savage 520 Manual

United States. War Department



Stevens Savage 520 Manual:

Technical Manual United States. War Department, Hydrographic Manual Melvin J. Umbach,1980 The Machine Gun, History, Evolution, and Development of Manual, Automatic, and Airborne Repeating Weapons Ordnance Bureau (Navy Department),1951 **AF Manual** United States. Department of the Air Force,1966 **Defense utilization and disposal manual** United States. Office of the Assistant Secretary of Defense (Manpower, Reserve Affairs, and Logistics),1982 *Defense Reutilization and Marketing Manual* United States. Assistant Secretary of Defense (Production and Logistics),1990 Moody's Manual of Railroads and Corporation Securities ,1924 Maine Register Or State Year-book and Legislative Manual from April 1 ... to April 1 ... ,1900 *Maine Register Or State Year-book and Legislative Manual* Maine,1892 Vols for 19 include Classified business directory of the entire state **Index of Technical Manuals, Technical Regulations, Technical Bulletins, Supply Bulletins, Lubrications Orders, and Modification Work Orders** United States. Department of the Army,1954

Eventually, you will unconditionally discover a other experience and completion by spending more cash. nevertheless when? complete you resign yourself to that you require to acquire those all needs in the manner of having significantly cash? Why dont you try to get something basic in the beginning? Thats something that will guide you to understand even more re the globe, experience, some places, like history, amusement, and a lot more?

It is your definitely own time to do something reviewing habit. along with guides you could enjoy now is **Stevens Savage 520 Manual** below.

https://dev.vn.se/public/uploaded-files/HomePages/collection_viral_romance_tiktok.pdf

Table of Contents Stevens Savage 520 Manual

1. Understanding the eBook Stevens Savage 520 Manual
 - The Rise of Digital Reading Stevens Savage 520 Manual
 - Advantages of eBooks Over Traditional Books
2. Identifying Stevens Savage 520 Manual
 - Exploring Different Genres
 - Considering Fiction vs. Non-Fiction
 - Determining Your Reading Goals
3. Choosing the Right eBook Platform
 - Popular eBook Platforms
 - Features to Look for in an Stevens Savage 520 Manual
 - User-Friendly Interface
4. Exploring eBook Recommendations from Stevens Savage 520 Manual
 - Personalized Recommendations
 - Stevens Savage 520 Manual User Reviews and Ratings
 - Stevens Savage 520 Manual and Bestseller Lists
5. Accessing Stevens Savage 520 Manual Free and Paid eBooks

- Stevens Savage 520 Manual Public Domain eBooks
 - Stevens Savage 520 Manual eBook Subscription Services
 - Stevens Savage 520 Manual Budget-Friendly Options
6. Navigating Stevens Savage 520 Manual eBook Formats
- ePub, PDF, MOBI, and More
 - Stevens Savage 520 Manual Compatibility with Devices
 - Stevens Savage 520 Manual Enhanced eBook Features
7. Enhancing Your Reading Experience
- Adjustable Fonts and Text Sizes of Stevens Savage 520 Manual
 - Highlighting and Note-Taking Stevens Savage 520 Manual
 - Interactive Elements Stevens Savage 520 Manual
8. Staying Engaged with Stevens Savage 520 Manual
- Joining Online Reading Communities
 - Participating in Virtual Book Clubs
 - Following Authors and Publishers Stevens Savage 520 Manual
9. Balancing eBooks and Physical Books Stevens Savage 520 Manual
- Benefits of a Digital Library
 - Creating a Diverse Reading Collection Stevens Savage 520 Manual
10. Overcoming Reading Challenges
- Dealing with Digital Eye Strain
 - Minimizing Distractions
 - Managing Screen Time
11. Cultivating a Reading Routine Stevens Savage 520 Manual
- Setting Reading Goals Stevens Savage 520 Manual
 - Carving Out Dedicated Reading Time
12. Sourcing Reliable Information of Stevens Savage 520 Manual
- Fact-Checking eBook Content of Stevens Savage 520 Manual
 - Distinguishing Credible Sources
13. Promoting Lifelong Learning
- Utilizing eBooks for Skill Development

- Exploring Educational eBooks
14. Embracing eBook Trends
- Integration of Multimedia Elements
 - Interactive and Gamified eBooks

Stevens Savage 520 Manual Introduction

Free PDF Books and Manuals for Download: Unlocking Knowledge at Your Fingertips In today's fast-paced digital age, obtaining valuable knowledge has become easier than ever. Thanks to the internet, a vast array of books and manuals are now available for free download in PDF format. Whether you are a student, professional, or simply an avid reader, this treasure trove of downloadable resources offers a wealth of information, conveniently accessible anytime, anywhere. The advent of online libraries and platforms dedicated to sharing knowledge has revolutionized the way we consume information. No longer confined to physical libraries or bookstores, readers can now access an extensive collection of digital books and manuals with just a few clicks. These resources, available in PDF, Microsoft Word, and PowerPoint formats, cater to a wide range of interests, including literature, technology, science, history, and much more. One notable platform where you can explore and download free Stevens Savage 520 Manual PDF books and manuals is the internet's largest free library. Hosted online, this catalog compiles a vast assortment of documents, making it a veritable goldmine of knowledge. With its easy-to-use website interface and customizable PDF generator, this platform offers a user-friendly experience, allowing individuals to effortlessly navigate and access the information they seek. The availability of free PDF books and manuals on this platform demonstrates its commitment to democratizing education and empowering individuals with the tools needed to succeed in their chosen fields. It allows anyone, regardless of their background or financial limitations, to expand their horizons and gain insights from experts in various disciplines. One of the most significant advantages of downloading PDF books and manuals lies in their portability. Unlike physical copies, digital books can be stored and carried on a single device, such as a tablet or smartphone, saving valuable space and weight. This convenience makes it possible for readers to have their entire library at their fingertips, whether they are commuting, traveling, or simply enjoying a lazy afternoon at home. Additionally, digital files are easily searchable, enabling readers to locate specific information within seconds. With a few keystrokes, users can search for keywords, topics, or phrases, making research and finding relevant information a breeze. This efficiency saves time and effort, streamlining the learning process and allowing individuals to focus on extracting the information they need. Furthermore, the availability of free PDF books and manuals fosters a culture of continuous learning. By removing financial barriers, more people can access educational resources and pursue lifelong learning, contributing to personal growth and professional development. This democratization of knowledge promotes intellectual curiosity and empowers

individuals to become lifelong learners, promoting progress and innovation in various fields. It is worth noting that while accessing free Stevens Savage 520 Manual PDF books and manuals is convenient and cost-effective, it is vital to respect copyright laws and intellectual property rights. Platforms offering free downloads often operate within legal boundaries, ensuring that the materials they provide are either in the public domain or authorized for distribution. By adhering to copyright laws, users can enjoy the benefits of free access to knowledge while supporting the authors and publishers who make these resources available. In conclusion, the availability of Stevens Savage 520 Manual free PDF books and manuals for download has revolutionized the way we access and consume knowledge. With just a few clicks, individuals can explore a vast collection of resources across different disciplines, all free of charge. This accessibility empowers individuals to become lifelong learners, contributing to personal growth, professional development, and the advancement of society as a whole. So why not unlock a world of knowledge today? Start exploring the vast sea of free PDF books and manuals waiting to be discovered right at your fingertips.

FAQs About Stevens Savage 520 Manual Books

What is a Stevens Savage 520 Manual PDF? A PDF (Portable Document Format) is a file format developed by Adobe that preserves the layout and formatting of a document, regardless of the software, hardware, or operating system used to view or print it. **How do I create a Stevens Savage 520 Manual PDF?** There are several ways to create a PDF: Use software like Adobe Acrobat, Microsoft Word, or Google Docs, which often have built-in PDF creation tools. Print to PDF: Many applications and operating systems have a "Print to PDF" option that allows you to save a document as a PDF file instead of printing it on paper. Online converters: There are various online tools that can convert different file types to PDF. **How do I edit a Stevens Savage 520 Manual PDF?** Editing a PDF can be done with software like Adobe Acrobat, which allows direct editing of text, images, and other elements within the PDF. Some free tools, like PDFescape or Smallpdf, also offer basic editing capabilities. **How do I convert a Stevens Savage 520 Manual PDF to another file format?** There are multiple ways to convert a PDF to another format: Use online converters like Smallpdf, Zamzar, or Adobe Acrobats export feature to convert PDFs to formats like Word, Excel, JPEG, etc. Software like Adobe Acrobat, Microsoft Word, or other PDF editors may have options to export or save PDFs in different formats. **How do I password-protect a Stevens Savage 520 Manual PDF?** Most PDF editing software allows you to add password protection. In Adobe Acrobat, for instance, you can go to "File" -> "Properties" -> "Security" to set a password to restrict access or editing capabilities. Are there any free alternatives to Adobe Acrobat for working with PDFs? Yes, there are many free alternatives for working with PDFs, such as: LibreOffice: Offers PDF editing features. PDFsam: Allows splitting, merging, and editing PDFs. Foxit Reader: Provides basic PDF viewing

and editing capabilities. How do I compress a PDF file? You can use online tools like Smallpdf, ILovePDF, or desktop software like Adobe Acrobat to compress PDF files without significant quality loss. Compression reduces the file size, making it easier to share and download. Can I fill out forms in a PDF file? Yes, most PDF viewers/editors like Adobe Acrobat, Preview (on Mac), or various online tools allow you to fill out forms in PDF files by selecting text fields and entering information. Are there any restrictions when working with PDFs? Some PDFs might have restrictions set by their creator, such as password protection, editing restrictions, or print restrictions. Breaking these restrictions might require specific software or tools, which may or may not be legal depending on the circumstances and local laws.

Find Stevens Savage 520 Manual :

**collection viral romance TikTok
paperback healing trauma guide
viral hit sight words learning
entrepreneurship roadmap primer**

2026 guide self help mindset

viral fantasy saga social buzz

ebook coloring activity book

digital detox lifestyle hardcover

STEM for kids step by step

~~viral hit healing trauma guide~~

~~social buzz YouTube book review~~

fan favorite productivity guide

stories habit building planner

step by step nutrition fundamentals

sight words learning complete workbook

Stevens Savage 520 Manual :

free google sheets schedule templates smartsheet - Feb 09 2023

web these five preventive maintenance templates can help these templates give you a

wps top 10 equipment maintenance log excel templates - Mar 30 2022

nfl week 2 odds and totals lines for every game the athletic - Aug 23 2021

free breakdown template download in word google docs - Feb 26 2022

free equipment schedule templates smartsheet - Oct 05 2022

web breakdown templates get an organized cost breakdown spreadsheet for your
40 equipment maintenance log templates templatearchive - Nov 25 2021

free maintenance checklist templates pdf - Jun 13 2023

web 18 maintenance report templates 1 vehicle maintenance report template 2 free
free vehicle maintenance log template for excel - Oct 25 2021

free downloadable maintenance templates - Aug 15 2023

web maintenance templates these maintenance templates are your guide to bringing
breakdown maintenance powerpoint template sketchbubble - Sep 23 2021

18 maintenance report templates in google docs - Apr 11 2023

web maintenance schedule templates excel use template net s property car and
equipment maintenance management excel and google sheets - Jan 28 2022

maintenance log template 17 word excel pdf - May 12 2023

web an equipment maintenance log template is used to keep track of business property and
free maintenance schedule excel template net - Sep 04 2022

web log track and manage maintenance of your equipment with our equipment

free work breakdown structure templates smartsheet - Jul 14 2023

web buy free daily weekly and monthly google sheets schedule templates for professional
machine breakdown form ifsqn free equipment - Apr 30 2022

web sep 11 2023 road teams are 10 5 so far with monday s jets vs bills game still to be

total productive maintenance lean production sample format - Jun 01 2022

web our breakdown maintenance powerpoint template allows businesses to educate their

free maintenance template download in word - Mar 10 2023

web download free expense report templates in microsoft office adobe pdf and google

free equipment maintenance log templates excel word - Dec 07 2022

web jan 17 2017 customize fleetio s free downloadable maintenance spreadsheet

breakdown maintenance a comprehensive guide - Nov 06 2022

web sep 27 2022 some of the most popular wps excel equipment maintenance

maintenance work breakdown structure template excel xls - Dec 27 2021

free preventive maintenance templates download now fiix - Jul 02 2022

web jan 27 2019 40 equipment maintenance log templates january 27 2019 11 mins

free expense report templates smartsheet atp 4 33 - Aug 03 2022

web this product maintenance work breakdown structure template is an excel workbook

18 maintenance report templates in google docs word - Jan 08 2023

web tpm total productive maintenance is a holistic approach to equipment maintenance

aaos tenth edition book blogs post gazette com - Oct 24 2021

aaos emergency medical services ems american - May 11 2023

web aaos orange books 10th tenth edition by american academy of orthopaedic digital edition emergency care and transportation of the sick and injured essentials

aaos emergency care and transportation of the sick and - Sep 03 2022

web emergency medical care community care emergency transportation ambulance emergency medical services us department of transportation emergency care and

emergency care of the sick and injured 10 e sample chapter - Oct 04 2022

web aaos emergency care and transportation of the sick and injured tenth edition chapter 3 medical legal and ethical issues

emergency care and transportation of the sick and injured - Sep 22 2021

amazon com aaos 10th edition - Nov 05 2022

web emergency care of the sick and injured 10 e sample chapter free download as pdf file pdf text file txt or read online for free forty years ago the american academy

aaos emergency care and transportation of the sick and - Jul 01 2022

web in 1971 the american academy of orthopaedic surgeons aaos published the first edition of emergency care and transportation of the sick and injured and created the

aaos tenth edition emergency care download only - Jan 27 2022

web the emergency care and transportation of the sick and injured advantage package print edition with precept includes emergency care and transportation of the sick and

emergency care and transportation of the sick and - Jun 12 2023

web since 1971 emergency care and transportation of the sick and injured has advanced how ems education is delivered to help train exceptional ems professionals around the

student workbook for emergency care and transportation of the - Feb 08 2023

web jones bartlett publishers 2016 emergency medical services 1582 pages in 1971 the american academy of orthopaedic surgeons aaos published the first edition of

emergency care and transportation of the sick and injured - Dec 06 2022

web emergency care and transportation of the sick and injured tenth edition hardcover edition american academy of orthopaedic surgeons orange book series by

emergency care and transportation of the sick and injured - Apr 10 2023

web emergency care and transportation of the sick and injured enhanced tenth edition orange book series 40th anniversary 10th edition by american academy of

emergency care and transportation of the sick and injured - Aug 14 2023

web jones bartlett learning 2011 medical 1566 pages in 1971 the american academy of orthopaedic surgeons aaos published the first edition of emergency care and

aaos emergency care 10th edition - Nov 24 2021

web jan 1 1994 emergency care and transportation of the sick and injured tenth edition aaos orange books 10th tenth by american academy of orthopaedic surgeons

emergency care and transportation of the sick and injured - Apr 29 2022

web chapter 10 of emergency care and transportation of the sick and injured the curriculum book for emt b certification tenth edition

emergency care and transportation of the sick and injured - Aug 02 2022

web aaos emergency care and transportation of the sick and injured tenth edition chapter 3 medical legal and ethical issues *emergency care and transportation of the sick and* - Dec 26 2021

web nov 29 2022 in 1971 the american academy of orthopaedic surgeons aaos published the first edition of emergency care

and transportation of the sick and

aaos tenth edition ebooks download treca - May 31 2022

web feb 24 2021 fifty years later the twelfth edition is now the most advanced emt teaching and learning system ever developed current state of the art medical content

aaos emergency care and transportation of the sick and - Mar 29 2022

web the thoroughly updated third edition of this popular and widely used pocket reference guides the trauma team through every aspect of patient care after injury and before

emergency care and transportation of the sick and - Jul 13 2023

web emergency care and transportation of the sick and injured edition 10 ebook written by american academy of orthopaedic surgeons aaos read this book using google

emergency care and transportation of the sick and injured - Mar 09 2023

web dec 31 2010 student workbook for emergency care and transportation of the sick and injured tenth edition this student workbook contains exercises to reinforce what you

emergency care and transportation of the sick and - Jan 07 2023

web code aaos orange books 10th tenth edition by american academy of orthopaedic surgeons aaos published by jones bartlett publishers 2011 edition since 1971

aaos tenth edition emergency care the salvation army - Feb 25 2022

web aug 16 2023 we provide aaos tenth edition emergency care and numerous book collections from fictions to scientific research in any way among them is this aaos

part i number operations patterns relationships and 2023 - Sep 25 2022

web operations and number patterns grades 1 2 the financial implications of changing patterns of nonpublic school operations in chicago detroit milwaukee and philadelphia

patterns and relations 6th grade wncp math khan academy - Sep 06 2023

web about this unit one of the fundamentals of algebra is learning to recognize patterns among numbers and being able to visualize those patterns and relationships so let s use some mathematical tools to visualize interpret and graph patterns involving the coordinate plane

number patterns interpreting relationships pre algebra khan - May 02 2023

web aug 11 2015 examining the points on a number line and interpreting the patterns to discover the relationships practice this lesson yourself on khanacademy org right now

part a meanings and relationships of the operations 40 - Nov 27 2022

web continue examining the number line and the relationships among sets of numbers that make up the real number system explore which operations and properties hold true for each of the sets consider the magnitude of these infinite sets and discover that infinity comes in more than one size

relationships between 2 patterns practice khan academy - Jul 04 2023

web relationships between 2 patterns algebraic thinking faq math relationships between 2 patterns google classroom the table uses the following two patterns pattern x starting number 3 rule add 4 pattern y starting number 9 rule add 4 the terms in pattern y are than the terms in pattern x stuck

numbers operations and relationships grade r maths twinkl - Jul 24 2022

web why is numbers operations and relationships an important subject numbers operations and relationships in grade r is one of the key topic areas for mathematics alongside data handling patterns functions and algebra space and

representations of number operations study com - May 22 2022

web number operations in math there are only four basic number operations they are addition subtraction multiplication and division addition is when you have numbers that are grouped together

teaching mathematics week 8 1 3 openlearn open university - Oct 27 2022

web week 1 week 2 week 3 week 4 week 5 week 6 week 7 week 8 1 3 part whole relationships and number bonds you can make the number 8 in different ways etc children can learn these by manipulating physical objects such as bricks and tiles starting with 8 objects a child can split these objects into two or more groups figure 3

lo 1 numbers operations and relationships maths - Jan 30 2023

web patterns functions and algebra the learner will be able to recognise describe and represent patterns and relationships as well as to solve problems using algebraic language and skills 2 1 investigates and extends numeric and geometric patterns looking for a relationship or rules including patterns 2 1 5 represented in tables

part i number operations patterns relationships and download - Apr 20 2022

web part i number operations patterns relationships and downloaded from testapi mobal com by guest ashley holden algebra grades 6 12 diane publishing children are fascinated by big numbers introducing big numbers at an early age will help them grasp number patterns and place value this book is full of inventive ideas to fuel

elementary mathematics module patterns relationships number - Aug 05 2023

web involving relationships number sense and connections between patterns relationships and number sense as well as a review of current trends and recommendations for the curriculum learning and teaching of elementary school mathematics

1 1 numbers and operations mathematics libretxts - Oct 07 2023

web apr 18 2022 the numbers we use for counting or enumerating items are the natural numbers 1 2 3 4 5 and so on we

describe them in set notation as $1, 2, 3, \dots$ where the ellipsis indicates that the numbers continue to follow the pattern the natural numbers are of course also called the counting numbers any time we

patterns in numbers multiple operations gr 5 teachervision - Jun 22 2022

web patterns in numbers multiple operations gr 5 students determine which two operations were used together in order to produce the pattern examples include addition followed by multiplication and subtraction followed by division

patterns and relationships 5 oa 3 5th grade math part 2 - Feb 28 2023

web aug 2 2019 subscribe 210 33k views 4 years ago operations and algebraic thinking learn about analyzing patterns and relationships 5 oa 3 with mr j whether you re just starting out need a quick

numbers operations and relationships pdf free download - Mar 20 2022

web you should include as part of this lesson plan counting mental mathematics consolidation of concepts problem solving group work independent activities content area topic concept and skills for the year grade 1 numbers money recognise and operations identify the south and african coins 5c relationships 10c 20c 50c r1 r2 r5 and

lo 1 numbers operations and relationships maths - Dec 29 2022

web patterns functions and algebra the learner will be able to recognise describe and represent patterns and relationships as well as to solve problems using algebraic language and skills 2 3 represents and uses relationships between variables in a variety of ways using 2 3 1 verbal descriptions 2 3 2 tables 2 6 describes a situation by

numbers operations and relationships weebly - Feb 16 2022

web 19 double the following numbers a 4 b 9 c 10 20 double each of the following numbers by writing an addition number sentence a 6 6 12 b 8 8 16 21 a which number is 10 more than 9 b which number is 10 more than 10 c which number is 10 more than 17 d which number is 5 more than 11

algebraic thinking mathematics methods for early childhood - Apr 01 2023

web operations and algebraic thinking is about generalizing arithmetic and representing patterns algebraic thinking includes the ability to recognize patterns represent relationships make generalizations and analyze how things change in the early grades students notice describe and extend patterns and they generalize about those patterns

early number concepts and number sense mathematics - Aug 25 2022

web part part whole relationships teaching part part whole relationships is critical to understanding addition and subtraction concepts the part part whole model shows that two parts make up a whole the following examples show the value of part part whole relationships example 1 samantha has 4 red marbles and 3 blue stickers how many

patterns and relationships pbs learningmedia - Jun 03 2023

web properties and relations of multiplication and division multiplying and dividing within 100 solving problems with the four

operations the four operations with whole numbers understanding factors and multiples generating and analyzing patterns
writing and interpreting numerical expressions patterns and relationships number