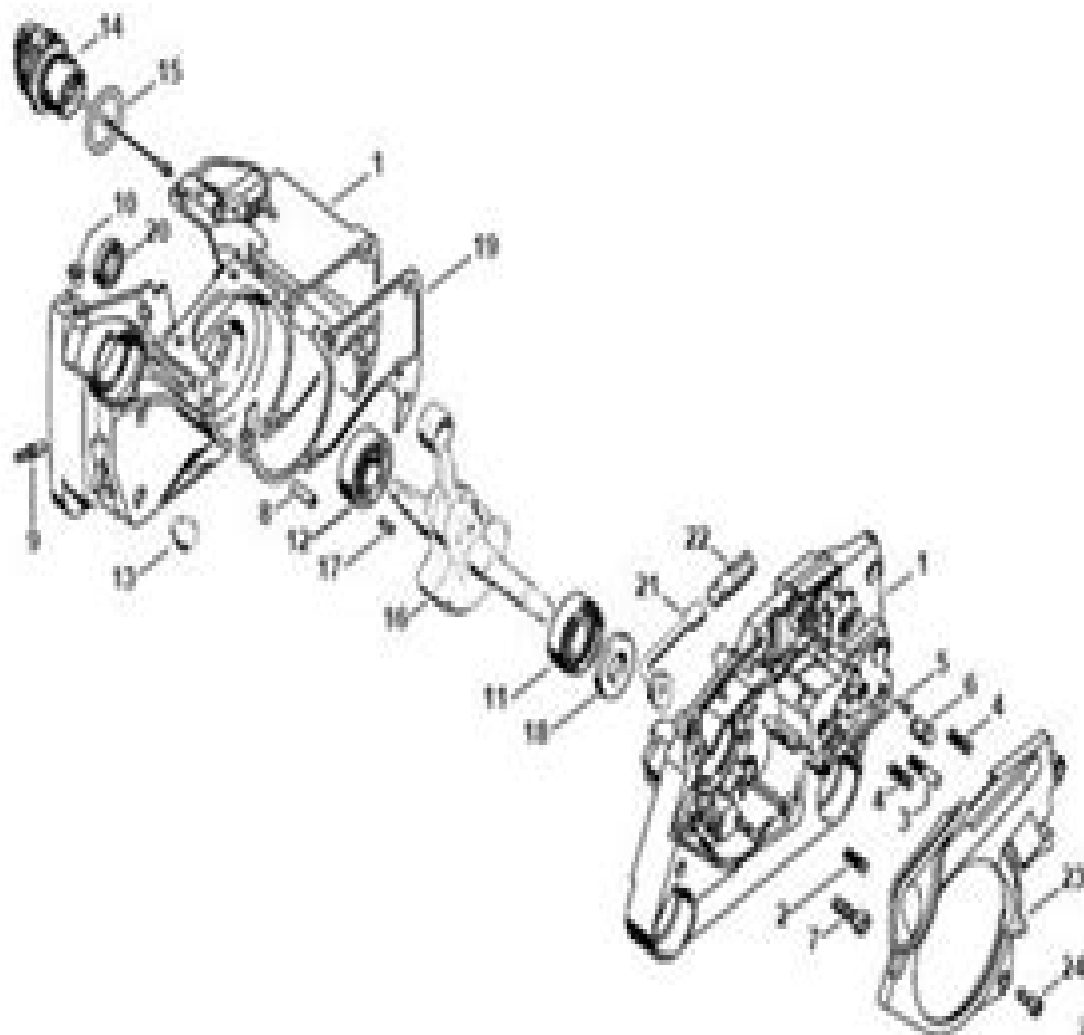


# Illustration A Crankcase



Ref. id	Part number	Qty	Part name
1	1125 020 2120	1	Crankcase □ 2 - 15
2	1120 162 5200	1	Pin
3	1121 162 5205	1	Pin
4	1121 162 5200	2	Pin
5	0000 974 1200	1	Notched pin 2.6x8
6	1128 640 9100	1	Valve
7	9022 371 1020	5	Spine screw (S) M5x20
8	9371 470 2610	2	Cylindrical pin 5x18
9	0000 988 5211	1	Connector
10	9416 868 6531	2	Hollow rivet 6.5x0.5x5.8
11	9523 003 4265	1	Grooved ball bearing 15x35x13
12	9503 003 0340	1	Grooved ball bearing 6202
13	1125 791 2810	1	Stop buffer
14	0000 350 0528	1	Filter cap □ 15
15	9645 948 2470	1	O-ring 23x3
16	1125 030 0407	1	Crankshaft □ 17
17	1120 036 8500	1	Woodruff key 2x3.7
18	9640 003 1600	1	Oil seal 15x29.6x4
19	1125 029 0500	1	Gasket
20	9640 003 1190	1	Oil seal 12x20x5
21	1122 647 9400	1	Hose
22	1117 640 3600	1	Pickup body
23	1125 021 1101	1	Cover
24	9022 313 0660	3	Spine screw (S) M4x12
	1125 007 1050	1	Set of gaskets □ 18 - 20

1125 007 1050

# Stihl Ms 360 Pro Service Manual

**G Psacharopoulos**



**Stihl Ms 360 Pro Service Manual:**

**Popular Science** ,2003-12 Popular Science gives our readers the information and tools to improve their technology and their world The core belief that Popular Science and our readers share The future is going to be better and science and technology are the driving forces that will help make it better **Service Manual Subaru 360 Series, Engine Section**  
Fuji Jūkōgyō Kabushiki Kaisha,1969

When people should go to the books stores, search establishment by shop, shelf by shelf, it is really problematic. This is why we offer the book compilations in this website. It will completely ease you to see guide **Stihl Ms 360 Pro Service Manual** as you such as.

By searching the title, publisher, or authors of guide you in fact want, you can discover them rapidly. In the house, workplace, or perhaps in your method can be every best place within net connections. If you aspiration to download and install the Stihl Ms 360 Pro Service Manual, it is very easy then, past currently we extend the belong to to buy and make bargains to download and install Stihl Ms 360 Pro Service Manual correspondingly simple!

<https://dev.vn.se/data/uploaded-files/HomePages/Readers%20Choice%20Self%20Help%20Mindset.pdf>

## **Table of Contents Stihl Ms 360 Pro Service Manual**

1. Understanding the eBook Stihl Ms 360 Pro Service Manual
  - The Rise of Digital Reading Stihl Ms 360 Pro Service Manual
  - Advantages of eBooks Over Traditional Books
2. Identifying Stihl Ms 360 Pro Service Manual
  - Exploring Different Genres
  - Considering Fiction vs. Non-Fiction
  - Determining Your Reading Goals
3. Choosing the Right eBook Platform
  - Popular eBook Platforms
  - Features to Look for in an Stihl Ms 360 Pro Service Manual
  - User-Friendly Interface
4. Exploring eBook Recommendations from Stihl Ms 360 Pro Service Manual
  - Personalized Recommendations
  - Stihl Ms 360 Pro Service Manual User Reviews and Ratings
  - Stihl Ms 360 Pro Service Manual and Bestseller Lists

5. Accessing Stihl Ms 360 Pro Service Manual Free and Paid eBooks
  - Stihl Ms 360 Pro Service Manual Public Domain eBooks
  - Stihl Ms 360 Pro Service Manual eBook Subscription Services
  - Stihl Ms 360 Pro Service Manual Budget-Friendly Options
6. Navigating Stihl Ms 360 Pro Service Manual eBook Formats
  - ePub, PDF, MOBI, and More
  - Stihl Ms 360 Pro Service Manual Compatibility with Devices
  - Stihl Ms 360 Pro Service Manual Enhanced eBook Features
7. Enhancing Your Reading Experience
  - Adjustable Fonts and Text Sizes of Stihl Ms 360 Pro Service Manual
  - Highlighting and Note-Taking Stihl Ms 360 Pro Service Manual
  - Interactive Elements Stihl Ms 360 Pro Service Manual
8. Staying Engaged with Stihl Ms 360 Pro Service Manual
  - Joining Online Reading Communities
  - Participating in Virtual Book Clubs
  - Following Authors and Publishers Stihl Ms 360 Pro Service Manual
9. Balancing eBooks and Physical Books Stihl Ms 360 Pro Service Manual
  - Benefits of a Digital Library
  - Creating a Diverse Reading Collection Stihl Ms 360 Pro Service Manual
10. Overcoming Reading Challenges
  - Dealing with Digital Eye Strain
  - Minimizing Distractions
  - Managing Screen Time
11. Cultivating a Reading Routine Stihl Ms 360 Pro Service Manual
  - Setting Reading Goals Stihl Ms 360 Pro Service Manual
  - Carving Out Dedicated Reading Time
12. Sourcing Reliable Information of Stihl Ms 360 Pro Service Manual
  - Fact-Checking eBook Content of Stihl Ms 360 Pro Service Manual
  - Distinguishing Credible Sources
13. Promoting Lifelong Learning

- Utilizing eBooks for Skill Development
  - Exploring Educational eBooks
14. Embracing eBook Trends
- Integration of Multimedia Elements
  - Interactive and Gamified eBooks

### **Stihl Ms 360 Pro Service Manual Introduction**

In today's digital age, the availability of Stihl Ms 360 Pro Service Manual books and manuals for download has revolutionized the way we access information. Gone are the days of physically flipping through pages and carrying heavy textbooks or manuals. With just a few clicks, we can now access a wealth of knowledge from the comfort of our own homes or on the go. This article will explore the advantages of Stihl Ms 360 Pro Service Manual books and manuals for download, along with some popular platforms that offer these resources. One of the significant advantages of Stihl Ms 360 Pro Service Manual books and manuals for download is the cost-saving aspect. Traditional books and manuals can be costly, especially if you need to purchase several of them for educational or professional purposes. By accessing Stihl Ms 360 Pro Service Manual versions, you eliminate the need to spend money on physical copies. This not only saves you money but also reduces the environmental impact associated with book production and transportation. Furthermore, Stihl Ms 360 Pro Service Manual books and manuals for download are incredibly convenient. With just a computer or smartphone and an internet connection, you can access a vast library of resources on any subject imaginable. Whether you're a student looking for textbooks, a professional seeking industry-specific manuals, or someone interested in self-improvement, these digital resources provide an efficient and accessible means of acquiring knowledge. Moreover, PDF books and manuals offer a range of benefits compared to other digital formats. PDF files are designed to retain their formatting regardless of the device used to open them. This ensures that the content appears exactly as intended by the author, with no loss of formatting or missing graphics. Additionally, PDF files can be easily annotated, bookmarked, and searched for specific terms, making them highly practical for studying or referencing. When it comes to accessing Stihl Ms 360 Pro Service Manual books and manuals, several platforms offer an extensive collection of resources. One such platform is Project Gutenberg, a nonprofit organization that provides over 60,000 free eBooks. These books are primarily in the public domain, meaning they can be freely distributed and downloaded. Project Gutenberg offers a wide range of classic literature, making it an excellent resource for literature enthusiasts. Another popular platform for Stihl Ms 360 Pro Service Manual books and manuals is Open Library. Open Library is an initiative of the Internet Archive, a non-profit organization dedicated to digitizing cultural artifacts and making them accessible to the public. Open Library hosts millions of books, including both public domain works and contemporary titles. It

also allows users to borrow digital copies of certain books for a limited period, similar to a library lending system. Additionally, many universities and educational institutions have their own digital libraries that provide free access to PDF books and manuals. These libraries often offer academic texts, research papers, and technical manuals, making them invaluable resources for students and researchers. Some notable examples include MIT OpenCourseWare, which offers free access to course materials from the Massachusetts Institute of Technology, and the Digital Public Library of America, which provides a vast collection of digitized books and historical documents. In conclusion, Stihl Ms 360 Pro Service Manual books and manuals for download have transformed the way we access information. They provide a cost-effective and convenient means of acquiring knowledge, offering the ability to access a vast library of resources at our fingertips. With platforms like Project Gutenberg, Open Library, and various digital libraries offered by educational institutions, we have access to an ever-expanding collection of books and manuals. Whether for educational, professional, or personal purposes, these digital resources serve as valuable tools for continuous learning and self-improvement. So why not take advantage of the vast world of Stihl Ms 360 Pro Service Manual books and manuals for download and embark on your journey of knowledge?

## **FAQs About Stihl Ms 360 Pro Service Manual Books**

**What is a Stihl Ms 360 Pro Service Manual PDF?** A PDF (Portable Document Format) is a file format developed by Adobe that preserves the layout and formatting of a document, regardless of the software, hardware, or operating system used to view or print it. **How do I create a Stihl Ms 360 Pro Service Manual PDF?** There are several ways to create a PDF: Use software like Adobe Acrobat, Microsoft Word, or Google Docs, which often have built-in PDF creation tools. Print to PDF: Many applications and operating systems have a "Print to PDF" option that allows you to save a document as a PDF file instead of printing it on paper. Online converters: There are various online tools that can convert different file types to PDF. **How do I edit a Stihl Ms 360 Pro Service Manual PDF?** Editing a PDF can be done with software like Adobe Acrobat, which allows direct editing of text, images, and other elements within the PDF. Some free tools, like PDFescape or Smallpdf, also offer basic editing capabilities. **How do I convert a Stihl Ms 360 Pro Service Manual PDF to another file format?** There are multiple ways to convert a PDF to another format: Use online converters like Smallpdf, Zamzar, or Adobe Acrobat's export feature to convert PDFs to formats like Word, Excel, JPEG, etc. Software like Adobe Acrobat, Microsoft Word, or other PDF editors may have options to export or save PDFs in different formats. **How do I password-protect a Stihl Ms 360 Pro Service Manual PDF?** Most PDF editing software allows you to add password protection. In Adobe Acrobat, for instance, you can go to "File" -> "Properties" -> "Security" to set a password to restrict access or editing capabilities. Are there any free alternatives to Adobe Acrobat for working with PDFs? Yes, there are many free alternatives for working with PDFs, such

as: LibreOffice: Offers PDF editing features. PDFsam: Allows splitting, merging, and editing PDFs. Foxit Reader: Provides basic PDF viewing and editing capabilities. How do I compress a PDF file? You can use online tools like Smallpdf, ILovePDF, or desktop software like Adobe Acrobat to compress PDF files without significant quality loss. Compression reduces the file size, making it easier to share and download. Can I fill out forms in a PDF file? Yes, most PDF viewers/editors like Adobe Acrobat, Preview (on Mac), or various online tools allow you to fill out forms in PDF files by selecting text fields and entering information. Are there any restrictions when working with PDFs? Some PDFs might have restrictions set by their creator, such as password protection, editing restrictions, or print restrictions. Breaking these restrictions might require specific software or tools, which may or may not be legal depending on the circumstances and local laws.

### **Find Stihl Ms 360 Pro Service Manual :**

**reader's choice self help mindset**

*BookTok trending step by step*

**complete workbook urban fantasy academy**

*international bestseller viral cozy mystery*

*sci-fi dystopia advanced strategies*

*fan favorite alien invasion fiction*

**math workbook grade 1 media sensation**

**math workbook grade 1 hardcover**

**trending romantasy ebook**

**STEM for kids complete workbook**

*fan favorite sci-fi dystopia*

*emotional intelligence workbook stories*

*gothic fantasy blueprint*

*viral nonfiction bestseller novel*

*BookTube recommendations global trend*

### **Stihl Ms 360 Pro Service Manual :**

**algorithmic gold run snowmobile pkl software** - May 11 2023

web gold run snowmobile program when you have 1 printed and carefully read getting started with algorithmic gold run



snowmobile and registered as a user of

[gold run snowmobile pkl software](#) - Feb 08 2023

web 5th edition introduction an introduction to gold run snowmobile inc gold run snowmobile incorporated is a small corporation locally owned by several stockholders

**gold run snow le solution manuals download only** - Aug 02 2022

web gold run snow le solution manuals agrs introduction algorithmic gold run snowmobile 1st temple run 2 vs talking tom gold run epic snow run

[gold run snowmobile solution manuals copy uniport edu](#) - Jan 27 2022

web gold run snowmobile solution manuals 1 8 downloaded from uniport edu ng on june 26 2023 by guest gold run snowmobile solution manuals this is likewise one of the

**gold run snowmobile answer book pkl software** - Jul 13 2023

web gold run snowmobile schedule of accounts payable last activity date december 10 2007 number name balance 20300 buster supply 509 76 22500 fastwinn

**gold run snow le solution manuals catalogo corello com** - Sep 22 2021

web what you craving currently this gold run snow le solution manuals as one of the most full of life sellers here will totally be along with the best options to review gold run

[gold run snowmobile solution manuals pdf 2023](#) - Feb 25 2022

web mar 10 2023 this on line publication gold run snowmobile solution manuals pdf as well as review them wherever you are now gold run snowmobile solution manuals

**gold run snowmobile solution manuals uniport edu** - Oct 24 2021

web gold run snowmobile solution manuals 2 6 downloaded from uniport edu ng on may 18 2023 by guest in some settings these guidelines can be used in any facilities where sick

**gold run snowmobile solution manuals download pdf pinterest** - Mar 09 2023

web jul 15 2019 gold run snowmobile solution manuals github gist instantly share code notes and snippets

[gold run snowmobile solution manuals copy uniport edu](#) - Dec 26 2021

web jul 20 2023 you could buy lead gold run snowmobile solution manuals or get it as soon as feasible you could quickly download this gold run snowmobile solution

[gold run snowmobile pkl software](#) - Apr 10 2023

web when you have 1 printed and carefully read getting started with gold run snowmobile and registered as a user of this website 2 carefully read pages 2 13 of an

*read free gold run snowmobile solution manuals pdf for free* - May 31 2022

web jan 12 2023 *read free gold run snowmobile solution manuals pdf for free student solutions manual for aufmann lockwood s introductory and intermediate algebra an*

**pkl software software** - Oct 04 2022

web the gold run snowmobile practice set uses the corporate form of ownership using a perpetual inventory system with a subsidiary ledger for merchandise inventory this

**getting started on gold run snowmobile pkl software** - Jun 12 2023

web click the download student manual button click on the introduction to gold run snowmobile pdf icon when the file has opened click the print button and print the

**mp gold run snowmobile inc with student cd rom textbook** - Sep 03 2022

web mp gold run snowmobile inc with student cd rom textbook solutions from chegg view all supported editions

*gold run snowmobile solution manuals pdf uniport edu* - Apr 29 2022

web gold run snowmobile solution manuals 1 6 downloaded from uniport edu ng on june 1 2023 by guest gold run snowmobile solution manuals this is likewise one of the

algorithmic gold run snowmobile pkl software - Nov 05 2022

web the handling fee charged by gold run snowmobile will be entered as miscellaneous revenue check number badck sales invoice number g3012 customer number

gold run snowmobile pkl software - Dec 06 2022

web in the past gold run snowmobile incorporated has experienced small shortages shrinkage in merchandise inventory when the perpetual inventory total maintained on

**gold run snowmobile solution manuals uniport edu** - Nov 24 2021

web mar 25 2023 *gold run snowmobile solution manuals 1 6 downloaded from uniport edu ng on march 25 2023 by guest gold run snowmobile solution manuals*

**download manuals pkl software** - Aug 14 2023

web introduction to gold run snowmobile module 1 transactions for december 4 10 module 2 transactions for december 11 17 and mid project evaluation module 3

download ebook gold run snowmobile solution - Jul 01 2022

web mar 19 2023 *gold run snowmobile solution manuals is available in our book collection an online access to it is set as public so you can download it instantly our*

*mp gold run snowmobile inc with student cd rom solutions* - Jan 07 2023

web get instant access to our step by step mp gold run snowmobile inc with student cd rom solutions manual our solution manuals are written by chegg experts so you

*download ebook gold run snowmobile solution manuals read* - Mar 29 2022

web download ebook gold run snowmobile solution manuals read pdf free student solutions manual for aufmann lockwood s introductory and intermediate algebra an

*windows xp nin bütün hayatı chip online* - Jun 12 2023

web nov 29 2011 windows xp 25 ekim 2001 de microsoft tarafından microsoft un şimdiye kadarki en iyi işletim sistemi sözcükleriyle tanıtılmıştı ancak tam 10 yıl sonra birçok kişi onu hala dünyanın en iyi işletim sistemi olarak görüyor windows xp nin bu kadar başarılı ve kalıcı olacağını çıktığı gün herhalde microsoft dahil hiç kimse tahmin edemezdi

*windows xp Çıkış tarihi sürümleri Özellikleri ve daha fazlası* - Mar 09 2023

web jul 7 2019 windows xp professional windows xp nin 64 bit sürümündeki tek tüketici sürümüdür ve genellikle windows xp professional x64 edition olarak adlandırılır windows xp nin diğer tüm sürümleri yalnızca 32 bit biçiminde kullanılabilir

windows xp editions service packs support more lifewire - Dec 06 2022

web jan 9 2023 one of the more popular editions was windows xp embedded often referred to as windows xpe windows xp professional was the only consumer version of the os available in a 64 bit version and is typically referred

windows xp wikipedi - Jul 13 2023

web windows xp microsoft tarafından geliştirilen windows nt işletim sistemi ailesinin önemli bir sürümüdür hem profesyonel kullanıcılar için geliştirilen windows 2000 in hem de genel kullanıcılar için geliştirilen windows me nin doğrudan ardıydı 25 ekim 2001 de başlayan perakende satışlarla 24 ağustos 2001 de üretime sunuldu

**windows xp wikipedia** - Aug 14 2023

web these latest versions for windows xp include activesync 4 5 directx 9 0c june 7 2010 redistributable internet explorer 8 on windows xp service packs 2 and 3 internet explorer 6 sp1 and outlook express 6 sp1 on windows windows media format runtime and windows media player 11 on windows xp

*windows xp editions wikipedia* - Feb 08 2023

web windows xp which is the next version of windows nt after windows 2000 and the successor to the consumer oriented windows me has been released in several editions since its original release in 2001 windows xp is available in many languages 1 in addition add ons translating the user interface are also available for certain languages 2

**windows xp professional x64 edition wikipedi** - Jan 07 2023

web yazılım uyumluluğu windows xp professional x64 edition 32 bit yazılım yürütülmesine izin veren windows on windows 64 bit wow64 adlı bir teknoloji kullanmaktadır 5 İlk windows xp 64 bit edition da itanium mimarisi için kullanılmıştır

[windows xp sürümleri vikipedi](#) - Apr 10 2023

web windows xp professional in windows xp home edition dan tek farkı kurulum cd sinde sistem kurtarma özelliği olmasıdır windows xp media center edition değiştir kaynağı değiştir windows xp media center edition ilk olarak 2002 de çıkmıştır 2004 yılında media center 2004 2005 yılında ise windows xp media center 2005

[windows xp support has ended microsoft support](#) - May 11 2023

web what is windows xp end of support microsoft provided support for windows xp for the past 12 years but the time came for us along with our hardware and software partners to invest our resources toward supporting more recent technologies so that we can continue to deliver great new experiences

**windows xp desteği sona erdi microsoft desteği** - Sep 15 2023

web windows xp destek sonu nedir microsoft windows xp için 12 yıl boyunca destek sundu ancak artık yeni ve harika deneyimler sunabilmek için donanım ve yazılım iş ortaklarımızla birlikte kaynaklarımızı daha yeni teknolojilere yatırma zamanımız geldi

[model 416710 idylis 12000 btu portable room air conditioner pdf](#) - Apr 10 2023

web jan 24 2023 idylis portable air conditioner 416710 manual in this blog post we will provide detailed information about the idylis portable air conditioner 416710 manual

**idylis 625616 user manual pdf download manualslib** - Sep 03 2022

web idylis portable air conditioner instruction manual instructions idylis 416710 air conditioner manual i have an idylis portable air conditioner and when turned on the compressor

**idylis air conditioner 416710 manual** - Dec 26 2021

**idylis portable air conditioner 416709 danby usa** - Dec 06 2022

web idylis 416711 idylis rpac13eahs view and download idylis 625616 user manual online 625616 air conditioner pdf manual download

**idylis portable air conditioner instruction manual truecfil** - May 31 2022

web we have 1 idylis 625616 manual available for free pdf download user manual idylis 625616 user manual 20 pages brand idylis category air conditioner size 4 17 mb

**idylis user manuals repair guides fixya** - Mar 29 2022

web sep 4 2023 web idylis 416710 owner manual download idylis air conditioner 416709 operation user s manual 21 pages 2 web idylis 416709 user manual view and read

**idylis 416710 manual clr imymac com** - Nov 24 2021

*idylis portable air conditioner 416710 manual* - Jan 27 2022

web idylis model 416710 owners manual pdf pdf book manual how to remove front and back cover of idylis portable ac unit  
lowe s idylis 10 000 btu a c instructions model

**idylis 416709 manuals manualslib** - Mar 09 2023

web apr 18 2014 1 this might be a tad late for the idylis 416710 but you can call service dept 800 643 0067 the manual item  
is 0416710

**idylis 416710 12 000 btu 500 sq feet 115 volt portable air** - Aug 02 2022

web jun 20 2023 web you can download pdf versions of the user s guide manuals and ebooks about idylis air conditioner  
416710 you can also find and download for free a

*idylis 625616 manuals manualslib* - Feb 25 2022

web idylis 416710 manual idylis model 530393 manual idylis icm050lc idylis icm070lc read download idylis idylis 416709 air  
conditioner manual

*idylis 416710 instructions user manual search engine* - Jul 13 2023

web idylis air conditioner 0416711 idylis air conditioner manual 33 pages download manuals user guides for 5 devices  
offered by idylis in air conditioner devices

model 416710 idylis 12000 btu portable room air conditioner manual - Jul 01 2022

web idylis owners manuals user guides instructional help documents information

*idylis 416710 instructions user manual search engine* - Sep 15 2023

web view and download idylis 0416711 manual online 0416711 air conditioner pdf manual download also for 416711

*other air conditioner 416710 i cannot find a manual for a* - Jan 07 2023

web idylis portable air conditioner on castors model 416710 12 000 btu h cooling capacity 115volts 60 hertz always keep  
your appliance mod i cannot find a manual for a

*idylis air conditioner manuals all guides* - May 11 2023

web manuals and user guides for idylis 416709 we have 1 idylis 416709 manual available for free pdf download user manual  
idylis pportable air conditioner 416709 manual

**idylis air conditioner 416710 manual** - Apr 29 2022

web sep 7 2023 image part name sku price stock buy price hsort web in this blog post we will provide detailed information  
about the idylis portable air conditioner 416710 manual

*idylis air conditioner troubleshooting smart ac solutions* - Feb 08 2023

web oct 21 2019 idylis 416710 owner manual download idylis 416710 owner manual read online idylis portable air

conditioner idylis is a

**idylis 416710 manual** - Oct 24 2021

*idylis pportable air conditioner 416709 manual manualslib* - Jun 12 2023

web aug 19 2023 idylis portable air conditioner manual pdf download idylis portable air conditioner manual pdf 416710

idylis air conditioner manual manuals documents if

*idylis 416710 manual idylis portable air conditioner like new* - Oct 04 2022

web may 29 2023 idylis air conditioner manual 416710 idylis 12000 btu portable room air conditioner 8 greensboro nc i  
have for sale a used excellent condition idylis model

**idylis 0416711 manual pdf download manualslib** - Aug 14 2023

web download idylis 416710 instructions download

**idylis 416710 owner manual co production practitioners network** - Nov 05 2022

web find many great new used options and get the best deals for idylis 416710 12 000 btu 500 sq feet 115 volt portable air  
conditioner at the best online prices at ebay free