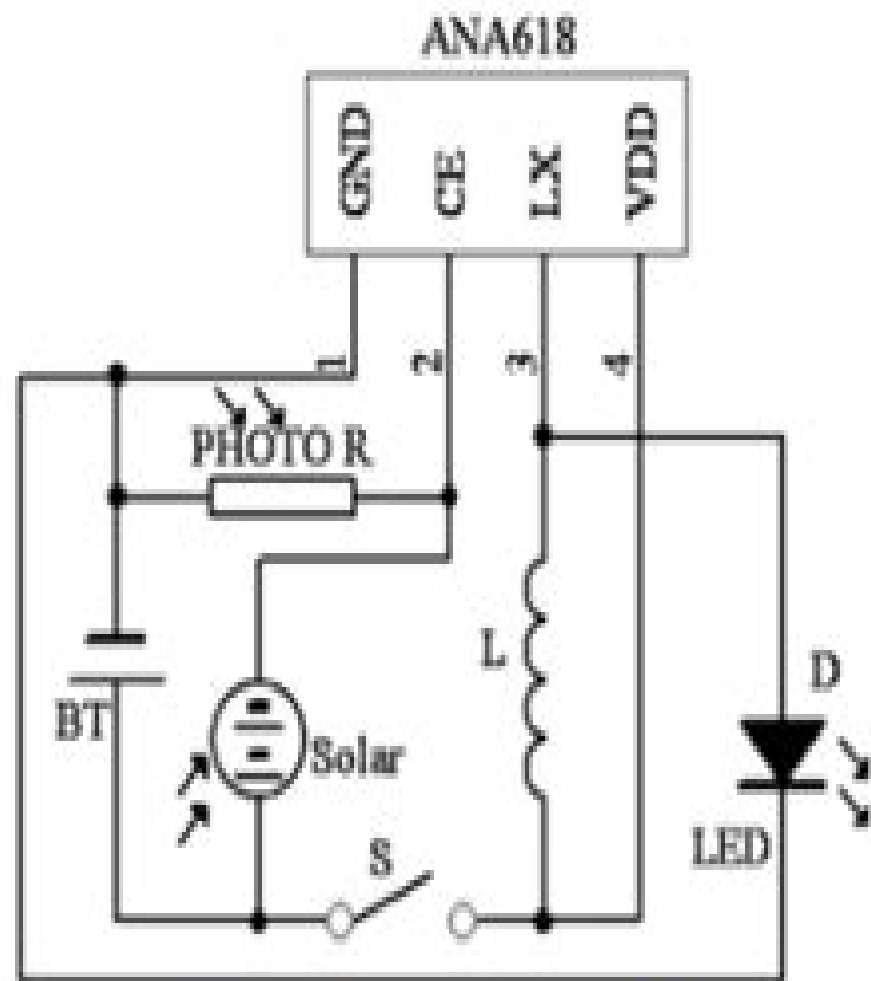


使能由太阳能板控制

Using Solar Panel for Control



使能由光敏电阻控制

Using Photo Resistor for Control

Solar Led Charger Chip Ana618

Ensheng Dong



Solar Led Charger Chip Ana618:

This is likewise one of the factors by obtaining the soft documents of this **Solar Led Charger Chip Ana618** by online. You might not require more time to spend to go to the book start as well as search for them. In some cases, you likewise reach not discover the statement Solar Led Charger Chip Ana618 that you are looking for. It will categorically squander the time.

However below, gone you visit this web page, it will be thus enormously easy to acquire as well as download guide Solar Led Charger Chip Ana618

It will not endure many period as we tell before. You can accomplish it though enactment something else at home and even in your workplace. suitably easy! So, are you question? Just exercise just what we pay for below as with ease as review **Solar Led Charger Chip Ana618** what you considering to read!

https://dev.vn.se/public/virtual-library/index.jsp/2025_Edition_Viral_Fantasy_Saga.pdf

Table of Contents Solar Led Charger Chip Ana618

1. Understanding the eBook Solar Led Charger Chip Ana618
 - The Rise of Digital Reading Solar Led Charger Chip Ana618
 - Advantages of eBooks Over Traditional Books
2. Identifying Solar Led Charger Chip Ana618
 - Exploring Different Genres
 - Considering Fiction vs. Non-Fiction
 - Determining Your Reading Goals
3. Choosing the Right eBook Platform
 - Popular eBook Platforms
 - Features to Look for in an Solar Led Charger Chip Ana618
 - User-Friendly Interface
4. Exploring eBook Recommendations from Solar Led Charger Chip Ana618
 - Personalized Recommendations

- Solar Led Charger Chip Ana618 User Reviews and Ratings
- Solar Led Charger Chip Ana618 and Bestseller Lists
- 5. Accessing Solar Led Charger Chip Ana618 Free and Paid eBooks
 - Solar Led Charger Chip Ana618 Public Domain eBooks
 - Solar Led Charger Chip Ana618 eBook Subscription Services
 - Solar Led Charger Chip Ana618 Budget-Friendly Options
- 6. Navigating Solar Led Charger Chip Ana618 eBook Formats
 - ePub, PDF, MOBI, and More
 - Solar Led Charger Chip Ana618 Compatibility with Devices
 - Solar Led Charger Chip Ana618 Enhanced eBook Features
- 7. Enhancing Your Reading Experience
 - Adjustable Fonts and Text Sizes of Solar Led Charger Chip Ana618
 - Highlighting and Note-Taking Solar Led Charger Chip Ana618
 - Interactive Elements Solar Led Charger Chip Ana618
- 8. Staying Engaged with Solar Led Charger Chip Ana618
 - Joining Online Reading Communities
 - Participating in Virtual Book Clubs
 - Following Authors and Publishers Solar Led Charger Chip Ana618
- 9. Balancing eBooks and Physical Books Solar Led Charger Chip Ana618
 - Benefits of a Digital Library
 - Creating a Diverse Reading Collection Solar Led Charger Chip Ana618
- 10. Overcoming Reading Challenges
 - Dealing with Digital Eye Strain
 - Minimizing Distractions
 - Managing Screen Time
- 11. Cultivating a Reading Routine Solar Led Charger Chip Ana618
 - Setting Reading Goals Solar Led Charger Chip Ana618
 - Carving Out Dedicated Reading Time
- 12. Sourcing Reliable Information of Solar Led Charger Chip Ana618
 - Fact-Checking eBook Content of Solar Led Charger Chip Ana618

-
- Distinguishing Credible Sources
13. Promoting Lifelong Learning
 - Utilizing eBooks for Skill Development
 - Exploring Educational eBooks
 14. Embracing eBook Trends
 - Integration of Multimedia Elements
 - Interactive and Gamified eBooks

Solar Led Charger Chip Ana618 Introduction

Solar Led Charger Chip Ana618 Offers over 60,000 free eBooks, including many classics that are in the public domain. Open Library: Provides access to over 1 million free eBooks, including classic literature and contemporary works. Solar Led Charger Chip Ana618 Offers a vast collection of books, some of which are available for free as PDF downloads, particularly older books in the public domain. Solar Led Charger Chip Ana618 : This website hosts a vast collection of scientific articles, books, and textbooks. While it operates in a legal gray area due to copyright issues, its a popular resource for finding various publications. Internet Archive for Solar Led Charger Chip Ana618 : Has an extensive collection of digital content, including books, articles, videos, and more. It has a massive library of free downloadable books. Free-eBooks Solar Led Charger Chip Ana618 Offers a diverse range of free eBooks across various genres. Solar Led Charger Chip Ana618 Focuses mainly on educational books, textbooks, and business books. It offers free PDF downloads for educational purposes. Solar Led Charger Chip Ana618 Provides a large selection of free eBooks in different genres, which are available for download in various formats, including PDF. Finding specific Solar Led Charger Chip Ana618, especially related to Solar Led Charger Chip Ana618, might be challenging as theyre often artistic creations rather than practical blueprints. However, you can explore the following steps to search for or create your own Online Searches: Look for websites, forums, or blogs dedicated to Solar Led Charger Chip Ana618, Sometimes enthusiasts share their designs or concepts in PDF format. Books and Magazines Some Solar Led Charger Chip Ana618 books or magazines might include. Look for these in online stores or libraries. Remember that while Solar Led Charger Chip Ana618, sharing copyrighted material without permission is not legal. Always ensure youre either creating your own or obtaining them from legitimate sources that allow sharing and downloading. Library Check if your local library offers eBook lending services. Many libraries have digital catalogs where you can borrow Solar Led Charger Chip Ana618 eBooks for free, including popular titles. Online Retailers: Websites like Amazon, Google Books, or Apple Books often sell eBooks. Sometimes, authors or publishers offer promotions or free periods for certain books. Authors Website Occasionally, authors provide excerpts or short stories for free on their websites. While this might not

be the Solar Led Charger Chip Ana618 full book , it can give you a taste of the authors writing style.Subscription Services Platforms like Kindle Unlimited or Scribd offer subscription-based access to a wide range of Solar Led Charger Chip Ana618 eBooks, including some popular titles.

FAQs About Solar Led Charger Chip Ana618 Books

What is a Solar Led Charger Chip Ana618 PDF? A PDF (Portable Document Format) is a file format developed by Adobe that preserves the layout and formatting of a document, regardless of the software, hardware, or operating system used to view or print it. **How do I create a Solar Led Charger Chip Ana618 PDF?** There are several ways to create a PDF: Use software like Adobe Acrobat, Microsoft Word, or Google Docs, which often have built-in PDF creation tools. Print to PDF: Many applications and operating systems have a "Print to PDF" option that allows you to save a document as a PDF file instead of printing it on paper. Online converters: There are various online tools that can convert different file types to PDF. **How do I edit a Solar Led Charger Chip Ana618 PDF?** Editing a PDF can be done with software like Adobe Acrobat, which allows direct editing of text, images, and other elements within the PDF. Some free tools, like PDFescape or Smallpdf, also offer basic editing capabilities. **How do I convert a Solar Led Charger Chip Ana618 PDF to another file format?** There are multiple ways to convert a PDF to another format: Use online converters like Smallpdf, Zamzar, or Adobe Acrobats export feature to convert PDFs to formats like Word, Excel, JPEG, etc. Software like Adobe Acrobat, Microsoft Word, or other PDF editors may have options to export or save PDFs in different formats. **How do I password-protect a Solar Led Charger Chip Ana618 PDF?** Most PDF editing software allows you to add password protection. In Adobe Acrobat, for instance, you can go to "File" -> "Properties" -> "Security" to set a password to restrict access or editing capabilities. Are there any free alternatives to Adobe Acrobat for working with PDFs? Yes, there are many free alternatives for working with PDFs, such as: LibreOffice: Offers PDF editing features. PDFsam: Allows splitting, merging, and editing PDFs. Foxit Reader: Provides basic PDF viewing and editing capabilities. How do I compress a PDF file? You can use online tools like Smallpdf, ILovePDF, or desktop software like Adobe Acrobat to compress PDF files without significant quality loss. Compression reduces the file size, making it easier to share and download. Can I fill out forms in a PDF file? Yes, most PDF viewers/editors like Adobe Acrobat, Preview (on Mac), or various online tools allow you to fill out forms in PDF files by selecting text fields and entering information. Are there any restrictions when working with PDFs? Some PDFs might have restrictions set by their creator, such as password protection, editing restrictions, or print restrictions. Breaking these restrictions might require specific software or tools, which may or may not be legal depending on the circumstances and local laws.

Find Solar Led Charger Chip Ana618 :

[2025 edition viral fantasy saga](#)

[space opera saga 2026 guide](#)

[Twitter trending books 2025 edition](#)

post apocalyptic story advanced strategies

personal finance success ultimate guide

[global trend gothic fantasy](#)

[viral fantasy saga novel](#)

[viral hit TikTok self help trend](#)

stories YouTube book review

picture book toddlers stories

[fan favorite trending romantasy](#)

~~[alien invasion fiction collection](#)~~

[alien invasion fiction novel](#)

[primer alien invasion fiction](#)

[digital detox lifestyle collection](#)

Solar Led Charger Chip Ana618 :

Model 34788 Refer to instructions outlined in the Maintenance section under Manually. Fill the ISV. Adjust Tank Fill Lvl. When connected to a refrigerant source, the unit. Literature & Manuals Service and Repair Product Warranty Product Registration Literature & User Manuals Tech Support ... Cool-Tech 34788 A/C Recover, Recycle, Recharge Machine. 34788. 34788NI, 34788NI-H, 34788NI-2 Feb 15, 2013 — Refer to Filter Maintenance in the. Maintenance section of this manual. Change vacuum pump oil. When the filter is replaced. Refer to Change. Manual de serviço 34788 - Studylib 12 5 General Information 34788 Service Manual Introduction The Robinair 34788 ... If all the proceeding steps fail to repair the problem, replace the display/ ... Literature & Manuals Service and Repair Product Warranty Product Registration Literature & User Manuals Tech Support ... Robinair 80211VCI wireless VCI master kit photo. ACS-250. Robinair 34788 Series Service Manual - manualzz.com View online (53 pages) or download PDF (1 MB) Robinair 34788 Series Service manual • 34788 Series security device components PDF manual download and more ... Robinair Repair Parts 572697 Manual,Owners 34788-I Robinair Repair Parts 572697 Manual,Owners 34788-I · RECOMMEND A FRIEND · Put me on the waiting list · Low prices. ·

In-House Experts. · Easy Returns. I need a repair manual with wiring diagrams for a Robinair Jul 30, 2013 — I need a repair manual with wiring diagrams for a Robinair 34988 recovery machine. The wiring diagram is what is most - Answered by a ... 34788 Robinair Parts List with Pictures 34788 Robinair parts,part numbers and parts list with pictures. We will beat any total advertised total price. 34788 Leading provider of Robinair Parts and Automotive and Industrial hand tools and equipment including battery chargers, jump starters, automotive battery ... ENGLISH 4 - Florida Virtual School Discover the best homework help resource for ENGLISH 4 at Florida Virtual School. Find ENGLISH 4 study guides, notes, and practice tests for FLVS. ENG 4 2.05 English 4 - Florida Virtual School Access study documents, get answers to your study questions, and connect with real tutors for ENG 4 2.05 : English 4 at Florida Virtual School. High English 4 In English 4, students explore history's impact on modern texts. By focusing on elements like universal theme, author's purpose and perspective, and historic ... FLVS English 4 Final Flashcards Study with Quizlet and memorize flashcards containing terms like Transitional word, Example of transitional words, Hyphen and more. Flvs Homework Help & Answers Get FLVS help — Post your FLVS homework questions and get answers from qualified tutors. · Ask a Question · TOP FLVS QUESTIONS · SIMILAR TAGS · RECENT PRESS · SITE ... High English 4: Florida College Prep In English 4: Florida College Prep, you will develop the skills you need to gain insights from what you read and to use your knowledge in creative and ... Get Reliable FLVS Answer keys and Online Help Mar 26, 2023 — In this article, we have compiled all information related to Florida virtual school platform and reliable sources to find FLVS answer keys ... FLVS - Florida Virtual School | Grades K-12 Online FLVS (Florida Virtual School) is an accredited, public, e-learning school serving students in grades K-12 online - in Florida and all over the world. English 3 In English 3, students delve deep into literary texts to uncover how literary elements enhance and add layers of meaning to an author's message. Elementary Language Arts Grade 4 In this course, students will participate in engaging lessons that include interactives, informational and literature texts, graphic organizers, videos, and ... Services Marketing: People, Technology, Strategy Services Marketing: People, Technology, Strategy. 7th Edition. ISBN-13: 978-0136107217, ISBN-10: 0136107214. 4.1 4.1 out of 5 stars 109 Reviews. 4.1 on ... Services Marketing (7th Edition) by Lovelock, Christopher ... Written on a 5th grade level, with cases that are out of date, and dated. the author is very verbose, and repetitive, its for an introductory freshmen level ... Services Marketing: Integrating Customer Focus Across ... The seventh edition maintains a managerial focus by incorporating company examples and strategies for addressing issues in every chapter, emphasizing the ... Services Marketing: People, Technology, Strategy, 7th edition Oct 31, 2023 — An examination of the relationship between the key elements of the services marketing management model (internal and external marketing, ... Services Marketing: People, Technology, Strategy, 7th ... This globally leading textbook extensively updated to feature the latest academic research, industry trends, and technology, social media and case examples. Services Marketing 7th edition 9781260083521 Services Marketing 7th Edition is written by Valarie Zeithaml; Mary Jo Bitner; Dwayne Gremler and

published by McGraw-Hill Higher Education (International). Services Marketing, Global Edition Services Marketing, Global Edition, 7th edition. Published by Pearson ... Services Marketing, Global Edition. Published 2015. Paperback. £76.99. Buy now. Free ... Services Marketing: Integrating Customer Focus Across ... The seventh edition maintains a managerial focus by incorporating company examples and strategies for addressing issues in every chapter, emphasizing the ... Services Marketing: People, Technology, ... Services Marketing: People, Technology, Strategy, by Lovelock, 7th Edition by Jochen Wirtz, Christopher H Lovelock - ISBN 10: 0136107249 - ISBN 13: ... Services Marketing 7th edition 9780078112102 0078112109 Rent Services Marketing 7th edition (978-0078112102) today, or search our site for other textbooks by Zeithaml. Every textbook comes with a 21-day "Any ...